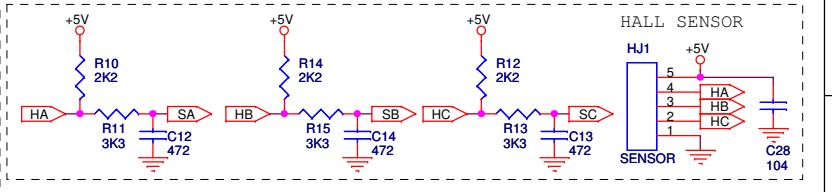
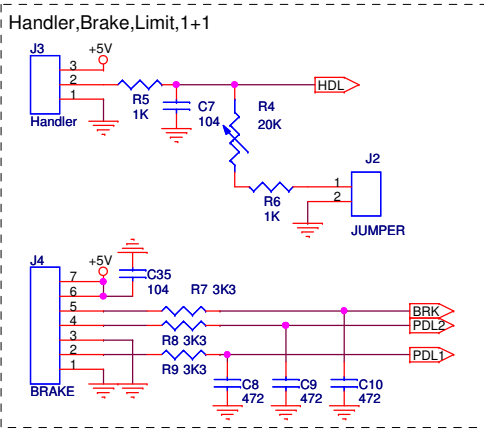
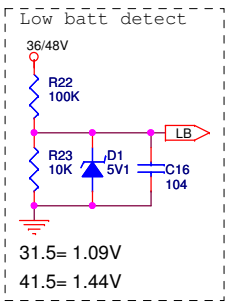
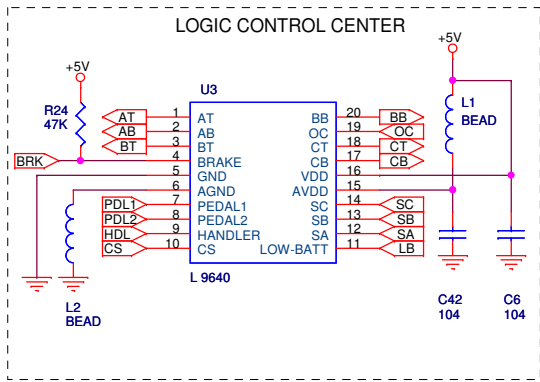
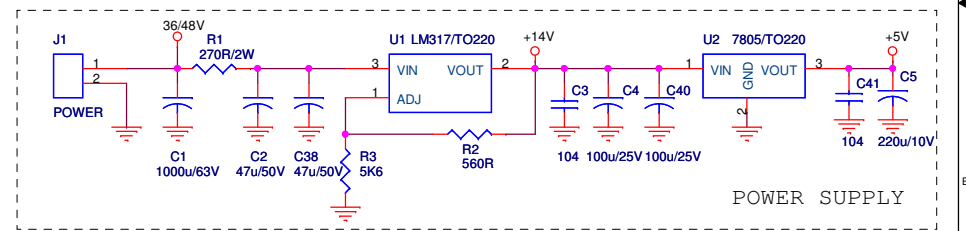


46mm/1.6mm/12.57m-Oh
 33mm/1.4mm/12.57m-Oh
 27mm/1.2mm/12.57m-Oh
 18mm/1.0mm/12.57m-Oh



朗宇國際實業有限公司 L.U.L. International Corporation Ltd., Co		
Title		
E-Bike L16100_H V1.6		
Size	Document Number	Rev
B	L16100_H V1.6 20080420	V1.6
Date:	Monday, April 21, 2008	Sheet 1 of 1