



◆ **ELECTRIC AND MECHANICAL SPECIFICATION :**

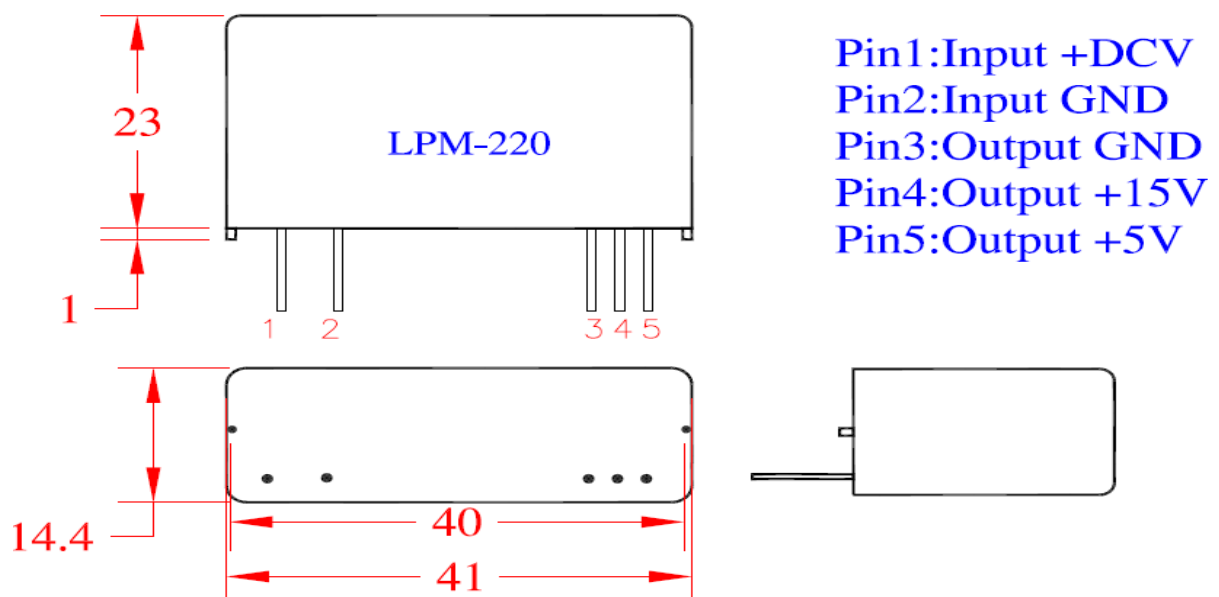
- A、Input voltage range: DC(V) 280V~340V
- B、Output voltage: DC(V) 15V $\pm 5\%$
- C、Output voltage: DC(V) 5V $\pm 5\%$
- D、Output DC(V) 15V current:150mA(Maximum)
- E、Output DC(V) 5V current:30mA(Maximum)
- F、Maximum output power : 2.5W(Maximum)

◆ **OPERATION CONDITION LIMITATION :**

- A、Operating charge temperature: 0°C ~+45°C
- B、Operating discharge temperature: 0°C ~+50°C
- C、Storage temperature: -10°C ~+45°C
- D、Operating relative humidity:25%~85% RH , environment temp 0°C ~60°C
- E、Weight: 20g(Ref)

◆ **DIMENSIONS(mm) :**

23mm(H) X 15mm(W) X 41mm(L)





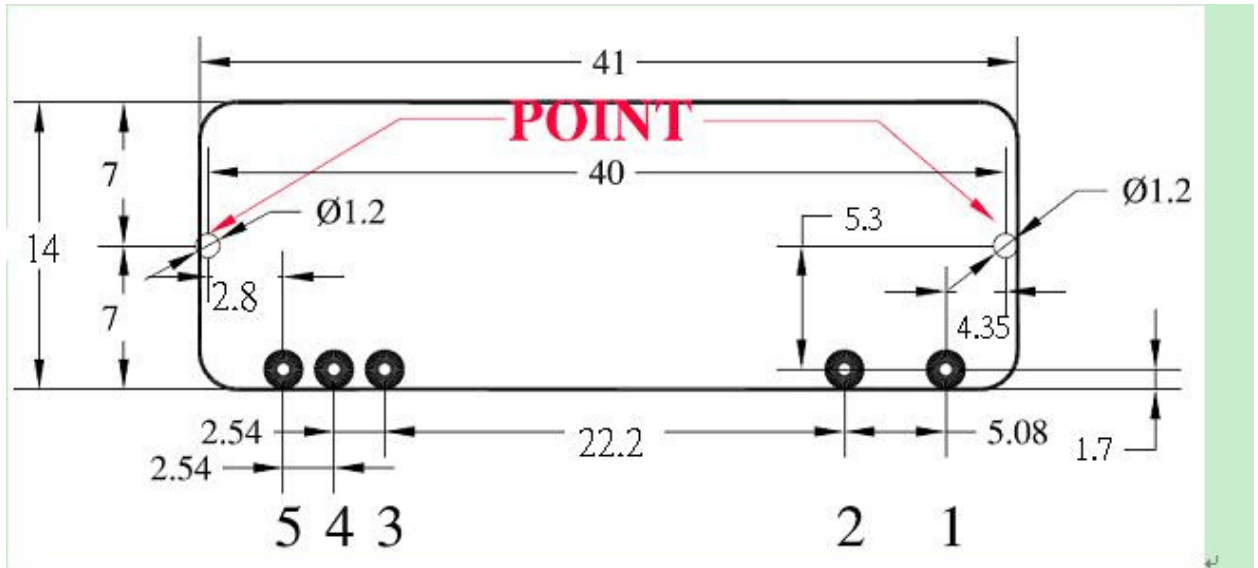
朗宇國際有限公司

International Co., Ltd

LPM-220

Power Module

◆ LAYOUT DIMENSIONS :



LAYOUT PAD DIMENSIONS

Pin 1~5 PADS OD=2.2mm ID=1.0mm

POINT OD=1.2mm

◆ TYPICAL APPLICATION :

